

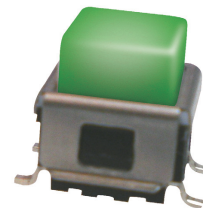


Feature :

- Water proof IP67 sealed
- Full color LED illuminated available
- Long electrical life cycles
- SMD and vertical PCB terminal

Application :

- Consumer products
- Computer products
- Instrumentation
- Communication equipments

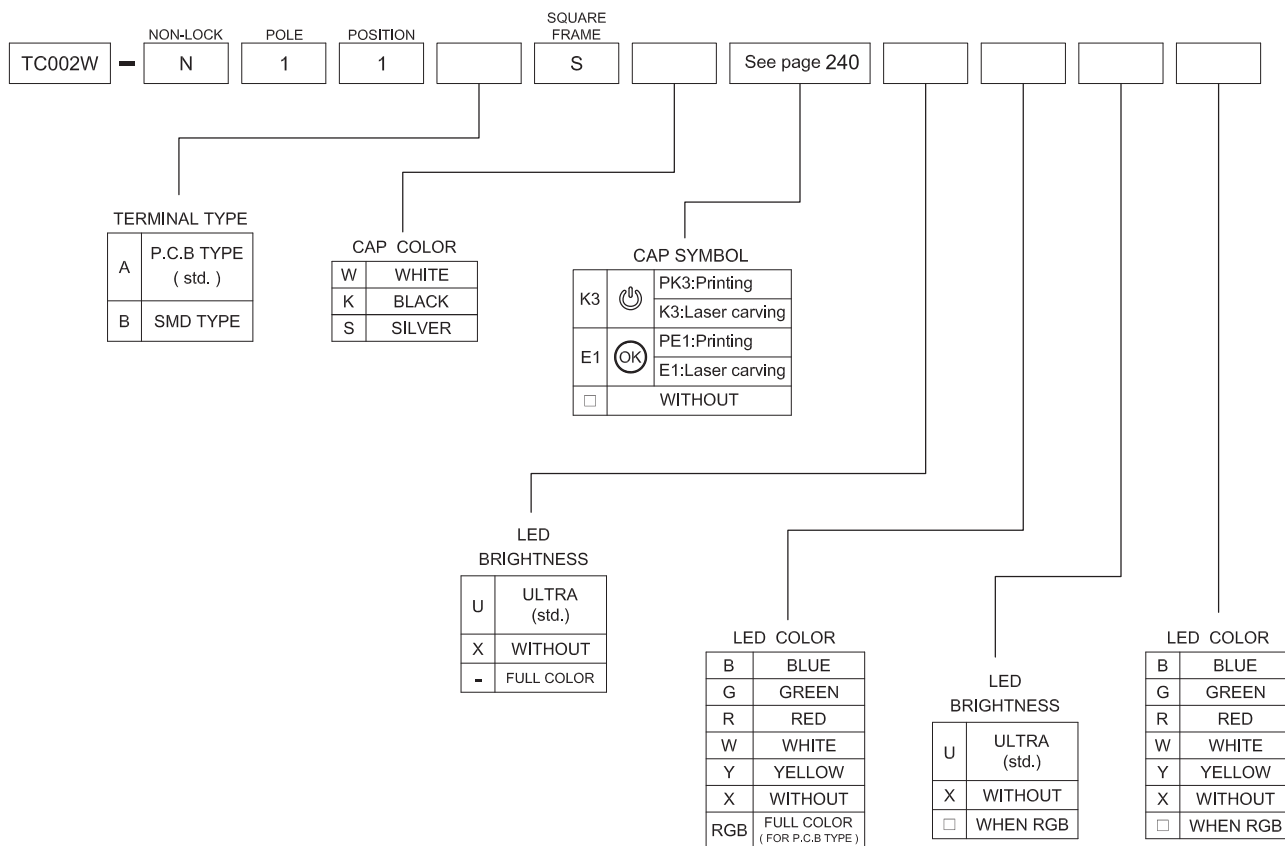


SWITCH SPECIFICATIONS	
POLE - POSITION	1P1T , with LED
CONTACT RATING	12 V DC , 50 mA
CONTACT RESISTANCE	100 mΩ MAX. 1.5 V DC ; 100 mA , by Method of Voltage DROP
INSULATION RESISTANCE	100 MΩ MIN. 500 V DC
DIELECTRIC STRENGTH	Breakdown is not Allowable ; 500 V AC for 1 Minute
OPERATING FORCE	300 ± 100 gf
OPERATING LIFE	500,000 cycles
OPERATING TEMPERATURE RANGE	-40°C ~85°C
TOTAL TRAVEL	0.4 ± 0.1 mm
SEALING	IP67

LED SPECIFICATIONS		Value / LED Color						
ATTENTION LEDs are Electrostatic Sensitive devices 	Unit	Blue (5mA)	Pure Green	Red	Yellow	Orange	Green	White
		LUMINOUS INTENSITY@20mA Iv	mcd	25	180	200	200	250
Dominant Wavelength λD	nm	470	525	630	590	601	567	/
FORWARD VOLTAGE@20mA Vf	V	2.8	3.2	1.95	2	2.1	2.1	4

■ A single bin cannot be ordered, please contact us in advance if you need a particular bin sorting before placing your order to clarify the lead time, MOQ and pricing

▶ HOW TO ORDER



- TACT SWITCH
- PUSH BUTTON SWITCH
- LED TOUCH SENSOR SWITCH
- 5 DIRECTION NAVIGATION SWITCH WITH LED
- MEMBRANE SWITCH
- LED LIGHT BAR
- SLIDE SWITCH
- ROTARY SWITCH
- ROCKER SWITCH
- DETECT SWITCH
- ENCODER
- INTERRUPTER
- MINIATURE MICRO SWITCH
- TELEPHONE HOOK SWITCH
- DOOR SWITCH
- MINI SIZE SOCKET
- KNOB
- CAP SYMBOL



TACT SWITCH

PUSH BUTTON SWITCH

LED TOUCH SENSOR SWITCH

5 DIRECTION NAVIGATION SWITCH WITH LED

MEMBRANE SWITCH

LED LIGHT BAR

SLIDE SWITCH

ROTARY SWITCH

ROCKER SWITCH

DETECT SWITCH

ENCODER

INTERRUPTER

MINIATURE MICRO SWITCH

TELEPHONE HOOK SWITCH

DOOR SWITCH

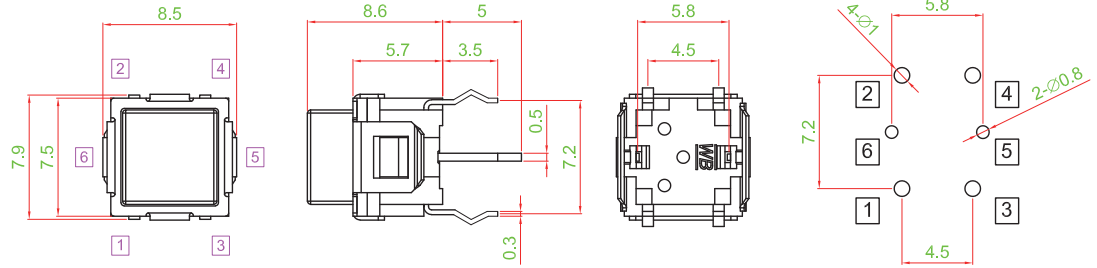
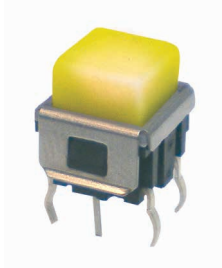
MINI SIZE SOCKET

KNOB

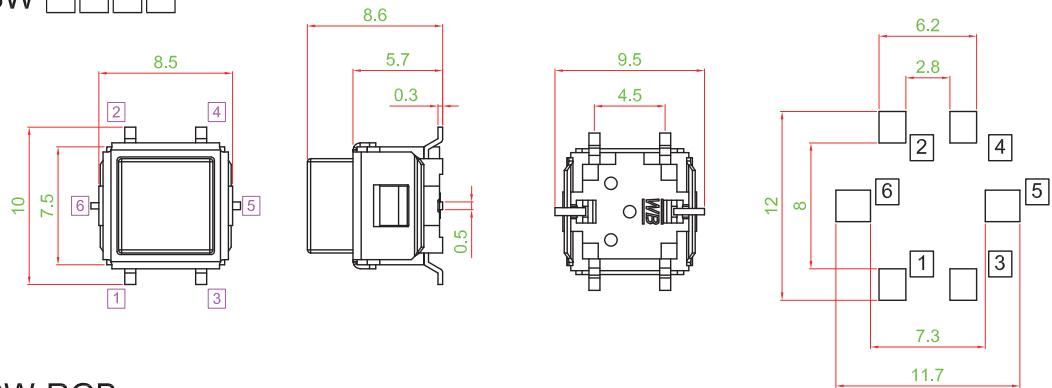
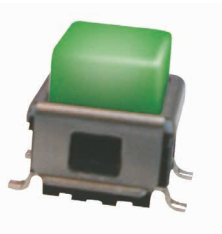
CAP SYMBOL

► DIMENSION

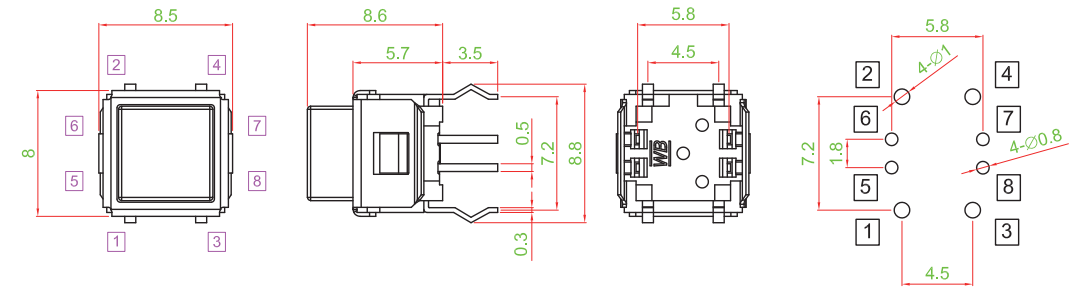
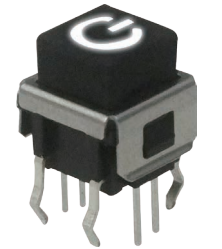
TC002W-N11ASW □□□□



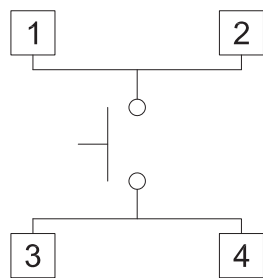
TC002W-N11ASW □□□□



TC002W-N11ASW-RGB



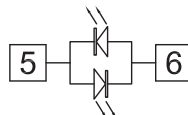
► CIRCUIT



SINGLE COLOR



TWO COLOR



FULL COLOR

