



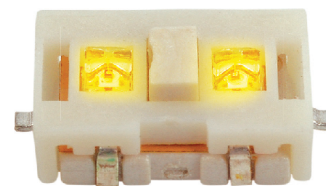
TACT SWITCH
PUSH BUTTON SWITCH
LED TOUCH SWITCH
5 DIRECTION NAVIGATION SWITCH WITH LED
MEMBRANE SWITCH
LED LIGHT BAR
SLIDE SWITCH
ROTARY SWITCH
ROCKER SWITCH
DETECT SWITCH
ENCODER
INTERRUPTER
MINIATURE MICRO SWITCH
TELEPHONE HOOK SWITCH
DOOR SWITCH
MINI SIZE SOCKET
KNOB
CAP SYMBOL

Feature :

- Compact size
- Two LEDs inside
- SMD

Applications :

- Consumer products
- Computer products
- Instrumentation
- Communication equipments
- Hand-held devices

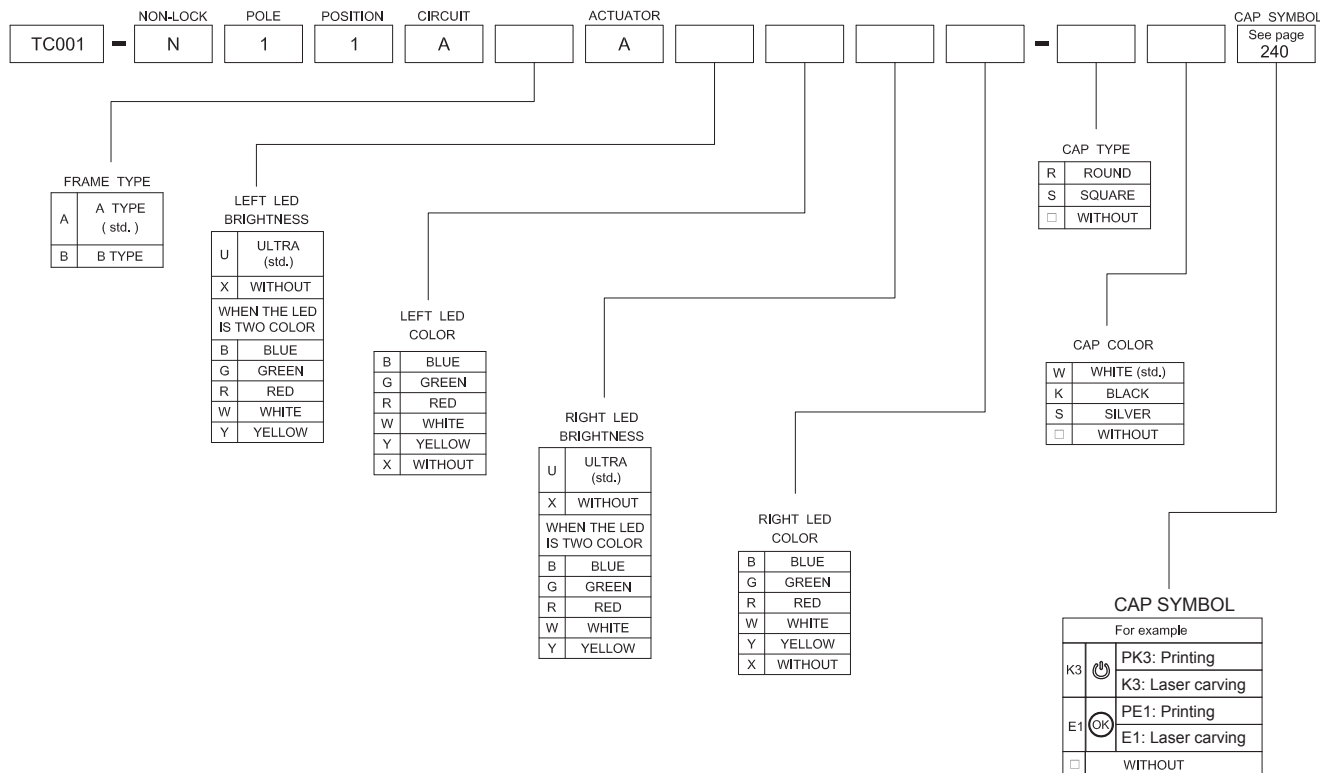


SWITCH SPECIFICATIONS	
POLE - POSITION	Momentary Type , SPST with LED
CONTACT RATING	12 V DC , 50 mA MAX. ; 1 V DC , 10 μ A MIN.
CONTACT RESISTANCE	500 m Ω MAX. 1.5 V DC ; 100 mA , by Method of Voltage DROP
INSULATION RESISTANCE	100 M Ω MIN. 100 V DC for 1 minute
DIELECTRIC STRENGTH	Breakdown is not Allowable ; 250 V AC for 1 Minute
OPERATING FORCE	160 +75 / -30 gf
OPERATING LIFE	30,000 cycles
OPERATING TEMPERATURE RANGE	-40°C ~ 85°C
TOTAL TRAVEL	0.25 +0.2 / -0.1 mm

LED SPECIFICATIONS		Value / LED Color						
ATTENTION LEDs are Electrostatic Sensitive devices (+) (-)	Unit	Blue	Pure Green	Red	Yellow	Orange	Green	White
		LUMINOUS INTENSITY@20mA Iv	mcd	80	150	220	180	320
Dominant Wavelength AD	nm	465	525	630	590	601	567	/
FORWARD VOLTAGE@20mA Vf	V	3.3	3.2	1.95	2	2.1	2.1	3.3

■ A single bin cannot be ordered, please contact us in advance if you need a particular bin sorting before placing your order to clarify the lead time, MOQ and pricing

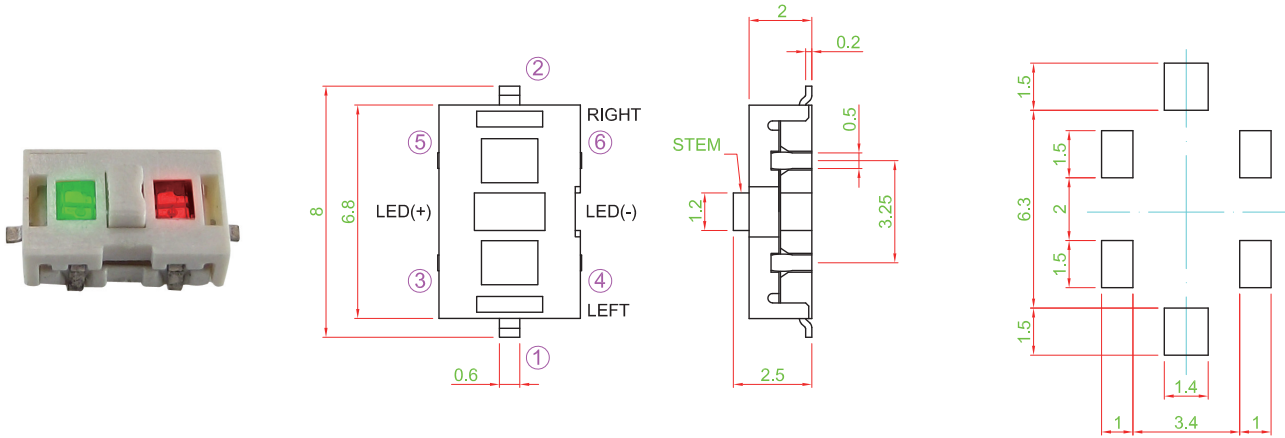
HOW TO ORDER



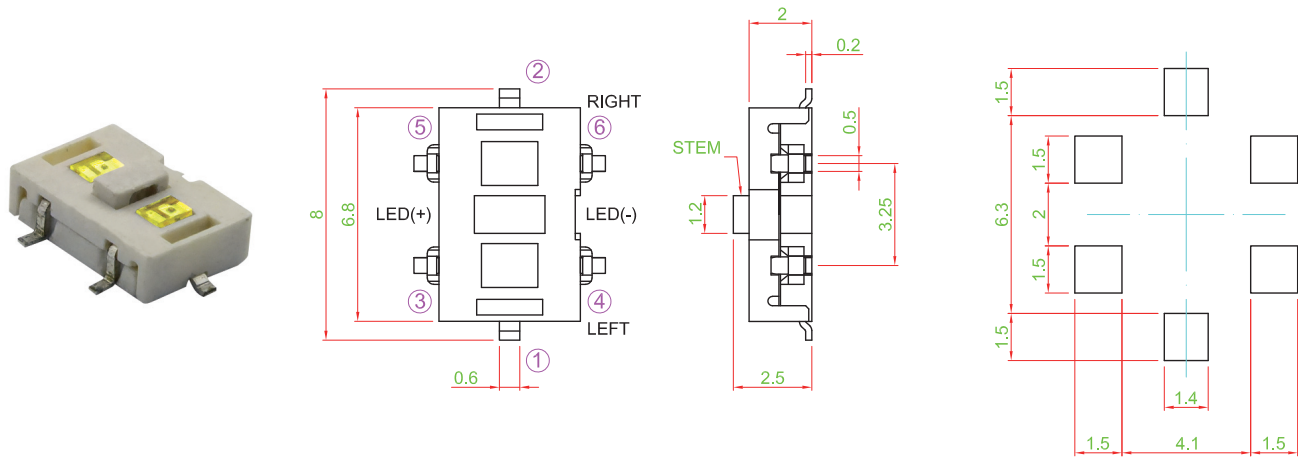


► DIMENSION

TC001-N11AAA □ □ □ □

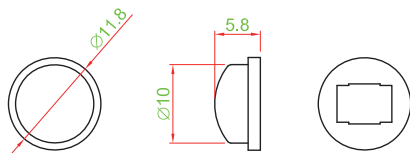


TC001-N11ABA □ □ □ □

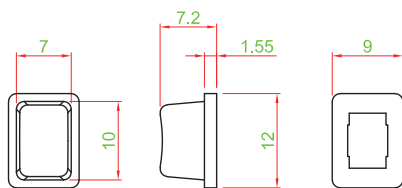


► CAP TYPE

TYPE : R



TYPE : S



► CIRCUIT

