



Feature :

Rotary switch with center push function
Bi-color LED illuminated available

Application :

Consumer products
Audio / video products
Instrumentation
Communication equipments

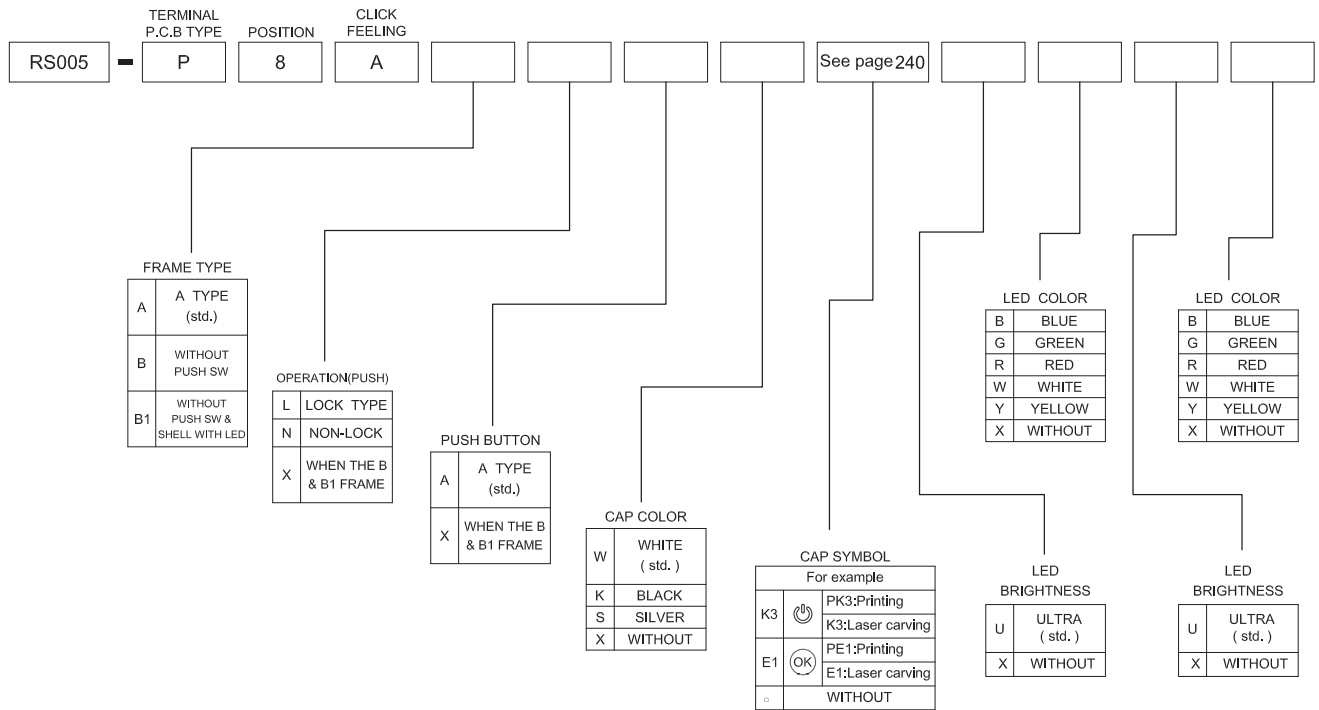


SWITCH SPECIFICATIONS	
POLE - POSITION	ROTARY SWITCH : 1P8T PUSH SWITCH : 1P2T or 2P2T
CONTACT RATING	30 V DC , 0.1A / 5V DC , 0.1mA
CONTACT RESISTANCE	100 mΩ MAX. 1.5 V DC ; 100 mA by Method of Voltage DROP
INSULATION RESISTANCE	100 MΩ MIN . 500 V DC for 1 minute
DIELECTRIC STRENGTH	Breakdown is not Allowable 500 V AC for 1 Minute
OPERATING FORCE	ROTARY SWITCH : 200 ±100 gf.cm PUSH SWITCH : 250 ±50 gf
OPERATING LIFE	50,000 cycles
OPERATING TEMPERATURE RANGE	-40°C ~ 85°C

LED SPECIFICATIONS								
ATTENTION LEDs are Electrostatic Sensitive devices (+) O (−) O (+)	Unit	Value / LED Color						
		Blue	Pure Green	Red	Yellow	Orange	Green	White
LUMINOUS INTENSITY@20mA Iv	mcd	80	150	220	180	320	50	450
Dominant Wavelength λD	nm	465	525	630	590	601	567	/
FORWARD VOLTAGE@20mA Vf	V	3.3	3.2	1.95	2	2.1	2.1	3.3

■ A single bin cannot be ordered, please contact us in advance if you need a particular bin sorting before placing your order to clarify the lead time, MOQ and pricing

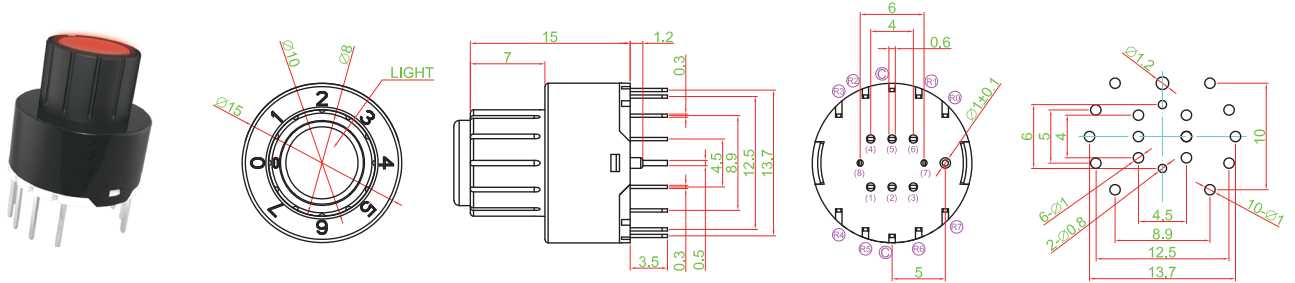
▶ HOW TO ORDER



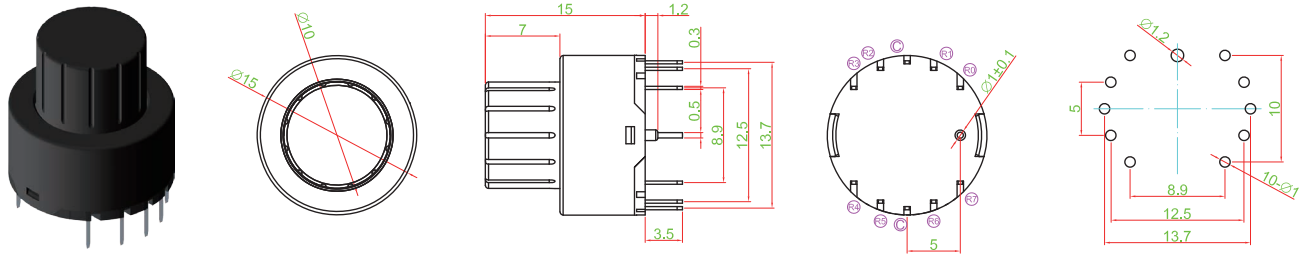


► DIMENSION

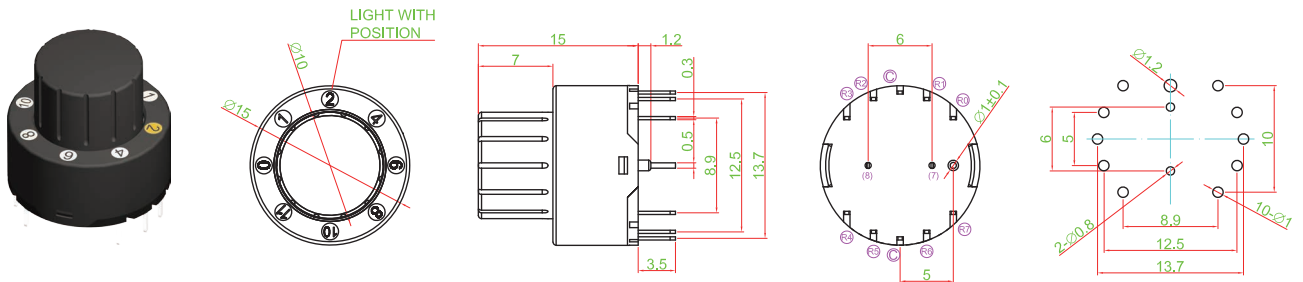
RS005-P8AALAW □□□□



RS005-P8ABXXXXXX

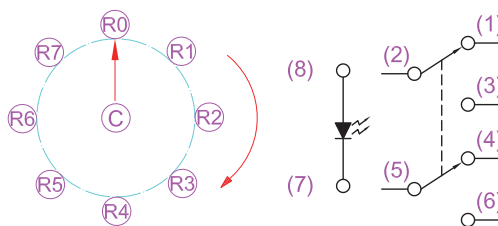


RS005-P8AB1XXX □□□□

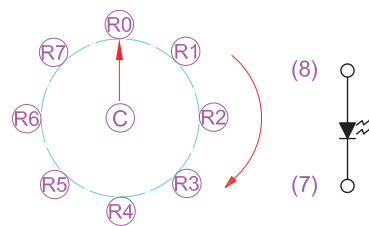


► CIRCUIT

FRAME A TYPE



FRAME B1 TYPE



TACT SWITCH

PUSH BUTTON SWITCH

LED TOUCH SENSOR SWITCH

5 DIRECTION NAVIGATION SWITCH WITH LED

MEMBRANE SWITCH

LED LIGHT BAR

SLIDE SWITCH

ROTARY SWITCH

ROCKER SWITCH

DETECT SWITCH

ENCODER

INTERRUPTER

MINIATURE MICRO SWITCH

TELEPHONE HOOK SWITCH

DOOR SWITCH

MINI SIZE SOCKET

KNOB

CAP SYMBOL