

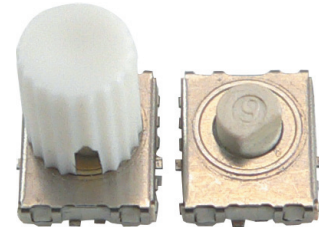


Feature :

small size  
1P10T

Application :

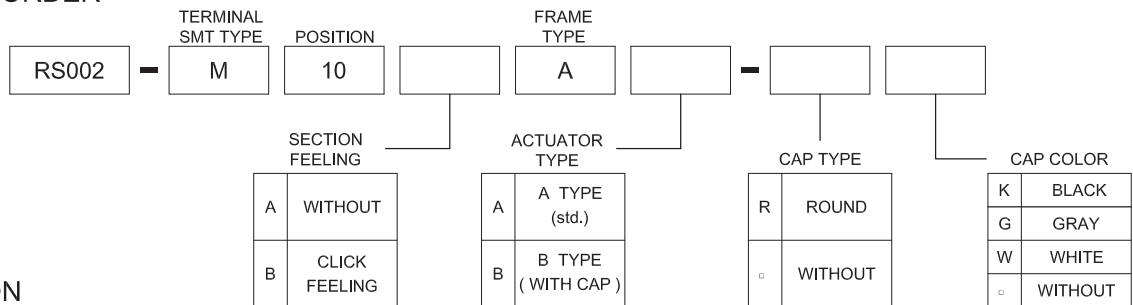
digital cameras  
Audio / video devices



- TACT SWITCH
- PUSH BUTTON SWITCH
- LED TOUCH SENSOR SWITCH
- 5 DIRECTION NAVIGATION SWITCH WITH LED
- MEMBRANE SWITCH
- LED LIGHT BAR
- SLIDE SWITCH
- ROTARY SWITCH
- ROCKER SWITCH
- DETECT SWITCH
- ENCODER
- INTERRUPTER
- MINIATURE MICRO SWITCH
- TELEPHONE HOOK SWITCH
- DOOR SWITCH
- MINI SIZE SOCKET
- KNOB
- CAP SYMBOL

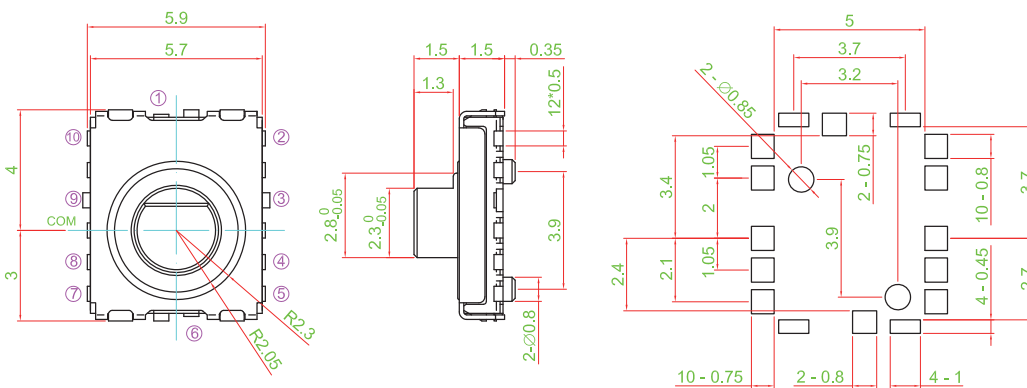
SWITCH SPECIFICATIONS	
POLE - POSITION	SMT TYPE , 1P10T
CONTACT RATING	5 V DC , 10 mA
CONTACT RESISTANCE	1 Ω MAX. 1.5 V DC ; 100 mA , by Method of Voltage DROP
INSULATION RESISTANCE	100 MΩ MIN . 100 V DC for 1 minute
DIELECTRIC STRENGTH	Breakdown is not Allowable ; 100 V AC for 1 Minute
OPERATING FORCE	150 gf.cm MAX.
OPERATING LIFE	With click feeling: 5,000 cycles ; Without click feeling: 10,000 cycles
OPERATING TEMPERATURE RANGE	-40°C ~ 85°C

▶ HOW TO ORDER



▶ DIMENSION

RS002-M10AAA



▶ CIRCUIT

