



Feature :

Bi-color LED illuminated available
SPDT, right angle terminal

Application :

Consumer products
Computer products
Instrumentation
Communication equipments

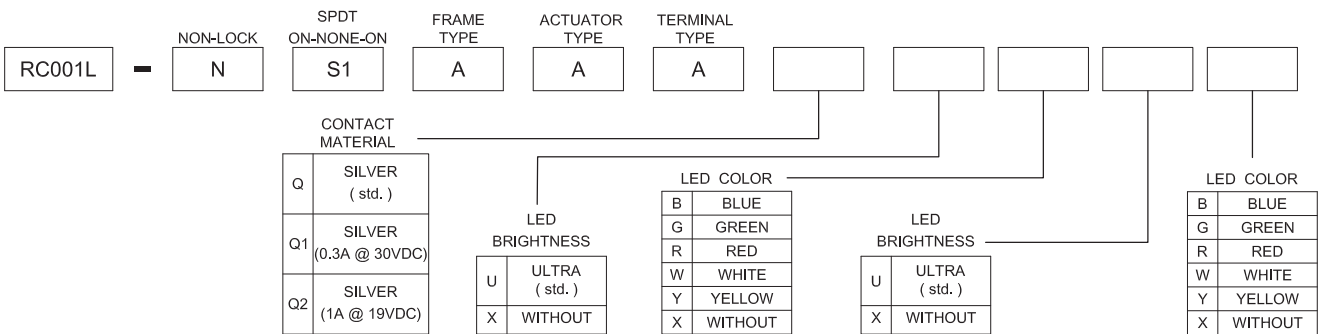


SWITCH SPECIFICATIONS	
POLE - POSITION	SPDT ON - NONE - ON
CONTACT RATING	3Amps with resistive load @ 125VAC or 28VDC
CONTACT RESISTANCE	20 mΩ max. 1.5 V DC ; 100 mA , by Method of Voltage DROP
INSULATION RESISTANCE	1000 MΩ min. 500 V DC
DIELECTRIC STRENGTH	Breakdown is not Allowable ; 1000 V AC for 1 Minute
OPERATING FORCE	300 ± 100 gf
OPERATING LIFE	10,000 cycles
OPERATING TEMPERATURE RANGE	-40°C ~ 85°C
TOTAL TRAVEL	2.2 ± 0.3 mm

LED SPECIFICATIONS								
ATTENTION LEDs are Electrostatic Sensitive devices (+) ○ (-)	Unit	Value / LED Color						
		Blue	Pure Green	Red	Yellow (5mA)	Orange	White	Green
LUMINOUS INTENSITY@20mA Iv	mcd	240	1000	180	24	250	400	50
Dominant Wavelength λD	nm	470	525	630	549	601	/	567
FORWARD VOLTAGE@20mA Vf	V	3.3	3.3	1.95	1.8	2.1	3.3	201

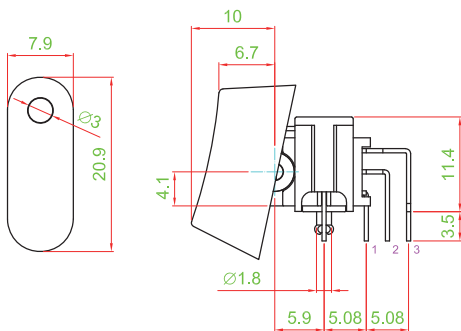
■ A single bin cannot be ordered, please contact us in advance if you need a particular bin sorting before placing your order to clarify the lead time, MOQ and pricing

▶ HOW TO ORDER

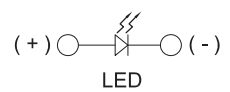
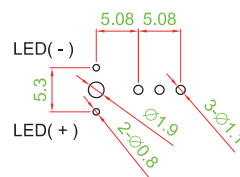


▶ DIMENSION

RC001L-NS1AAAQ□□□□



▶ CIRCUIT



SCHEMATIC	
Model	Position

▶ PANEL MOUNTING



- TACT SWITCH
- PUSH BUTTON SWITCH
- LED TOUCH SENSOR SWITCH
- 5 DIRECTION NAVIGATION SWITCH WITH LED
- MEMBRANE SWITCH
- LED LIGHT BAR
- SLIDE SWITCH
- ROTARY SWITCH
- ROCKER SWITCH
- DETECT SWITCH
- ENCODER
- INTERRUPTER
- MINIATURE MICRO SWITCH
- TELEPHONE HOOK SWITCH
- DOOR SWITCH
- MINI SIZE SOCKET
- KNOB
- CAP SYMBOL