



**Feature :**  
 Long life cycle - over 10 million times  
 by built-in infra red sensor for conduction signal  
 Various cap shape  
 Panel mount design  
 Digital signal output  
 Built in sound recording ic and speaker

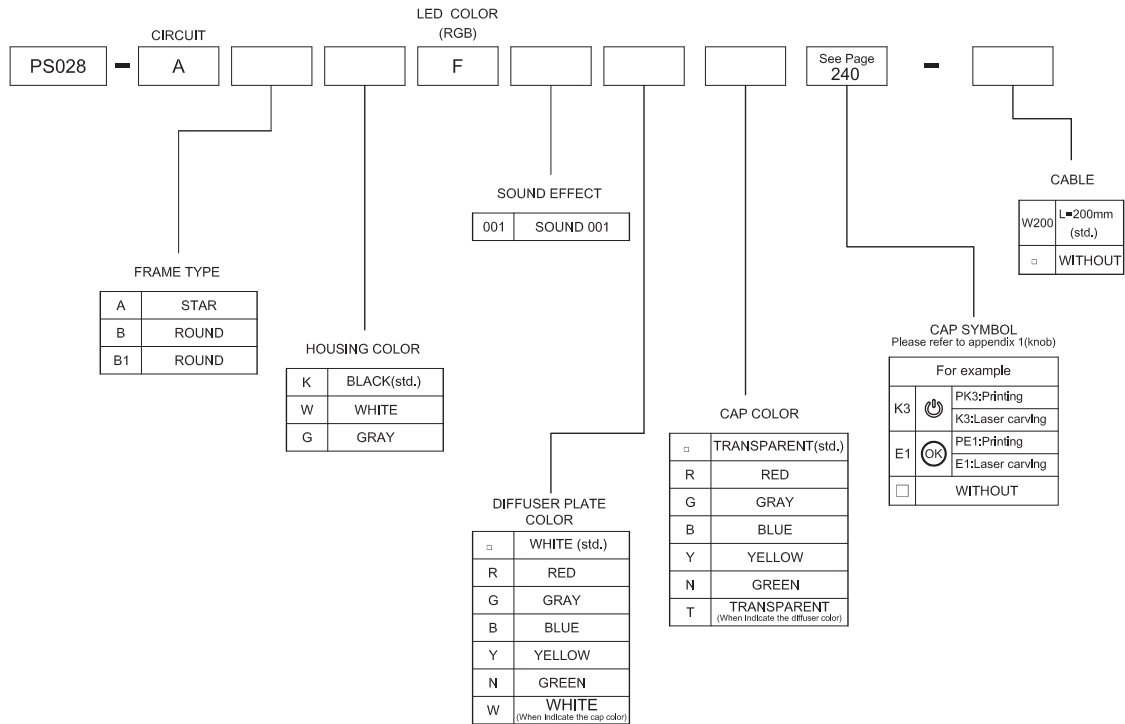
**Application :**  
 Application  
 Gaming machine  
 Amusement park machine  
 Car park ticket/payment machine  
 Vending machine



### ► SPECIFICATIONS

SWITCH SPECIFICATIONS	
POLE - POSITION	OFF - <ON> for Momentary Type , SPST
CIRCUIT FEATURE	PHOTOINTERRUPTER
CONTACT RESISTANCE	1K Ω MAX.
INSULATION RESISTANCE	10 MΩ MIN. 100 V DC
DIELECTRIC STRENGTH	Breakdown is unallowable ; AC 250V (50-60HZ) For 1 minute
OPERATING FORCE	80 ± 30 gf
OPERATING LIFE	1,000,000 cycles MIN.
OPERATING TEMPERATURE RANGE	-20°C ~ 60°C
TOTAL TRAVEL	2.5 ± 0.3 mm
SOUND PRESSURE LEVEL ( TYP)	90 ± 3 DB

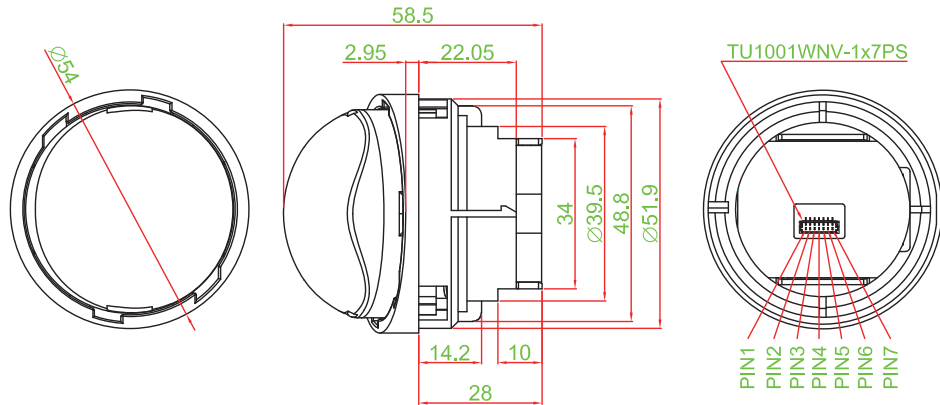
### ► HOW TO ORDER





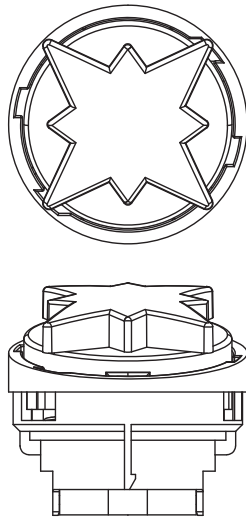
► DIMENSION

PS028-ABKF001

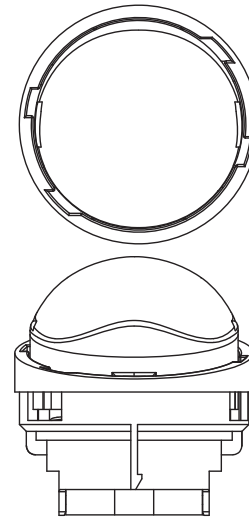


► FRAME TYPE

PS028-AAKF001

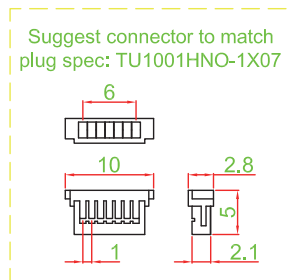


PS028-AB1KF001

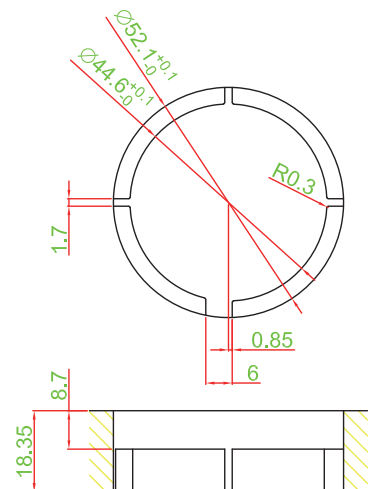


► PIN STRUCTURE

PIN NO.	SYMBOL	NAME
1.	VSS	Ground
2.	OUTPUT	Output
3.	LEDR-	LED Red
4.	LEDG-	LED Green
5.	LEDB-	LED Blue
6.	LEDC+	LED Common
7.	VCC	Power



► PANEL CUT OUT



Sym.	Parameter	Min.	Typ.	Max.	Unit.	Conditions.
VCC	Operating Voltage	3.0	5	6.0	V	
VIH	"H" Input Voltage	2.5			V	
VIL	"L" Input Voltage			0.6	V	
ISB	Standby Current			17	mA	
IIN	Input Current	350			mA	
ΔFs/Fs	Frequency stability			5	%	Vcc=5V ±1.0V
ΔFc/Fc	Chip to Frequency Variation			5	%	Also apply to lot to lot variation

TACT SWITCH

PUSH BUTTON SWITCH

LED TOUCH SENSOR SWITCH

5 DIRECTION NAVIGATION SWITCH WITH LED

MEMBRANE SWITCH

LED LIGHT BAR

SLIDE SWITCH

ROTARY SWITCH

ROCKER SWITCH

DETECT SWITCH

ENCODER

INTERRUPTER

MINIATURE MICRO SWITCH

TELEPHONE HOOK SWITCH

DOOR SWITCH

MINI SIZE SOCKET

KNOB

CAP SYMBOL