



Feature :

- DPDT
- Bi-color LED illuminated available
- Lock / non-lock function

Application :

- Consumer products
- Automotive

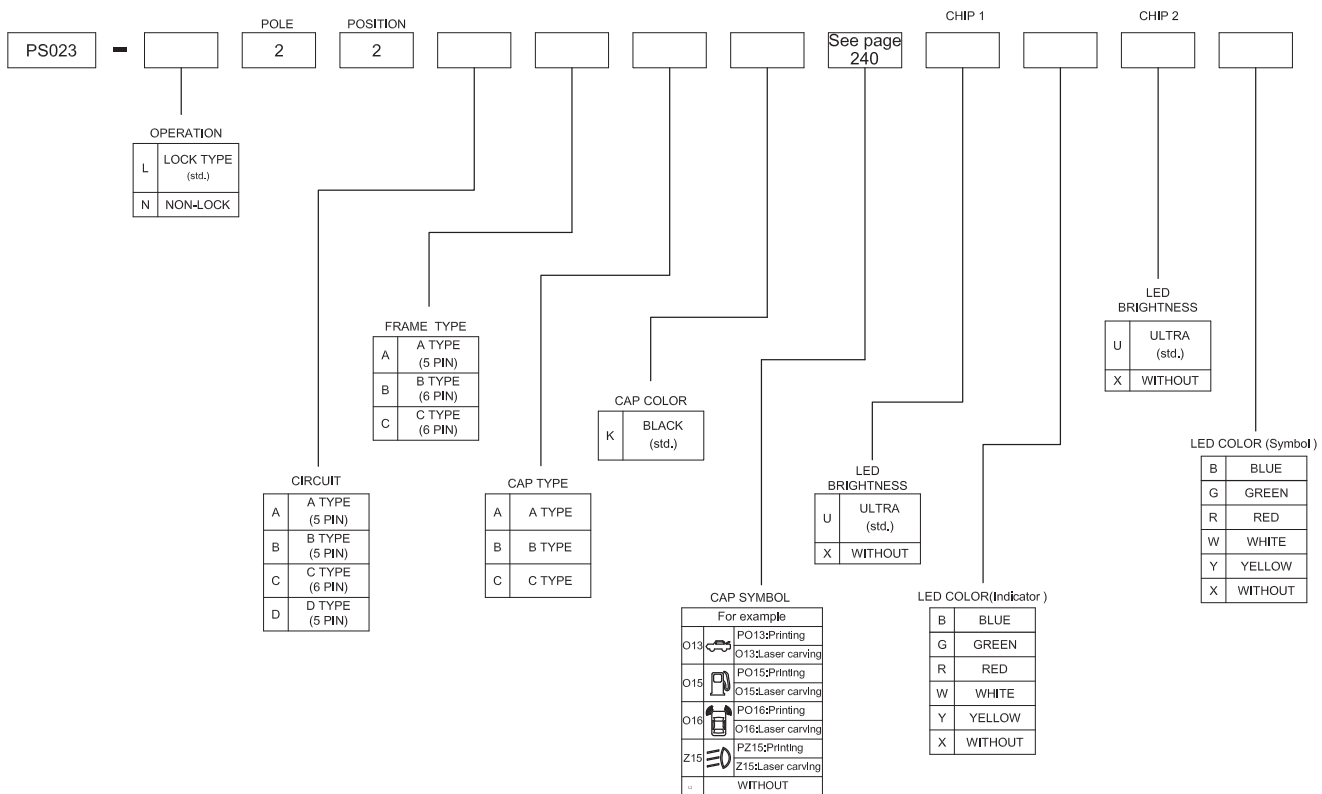


SWITCH SPECIFICATIONS	
POLE - POSITION	DPDT
CONTACT RATING	12V DC , 300 mA
CONTACT RESISTANCE	100 mΩ MAX.
INSULATION RESISTANCE	100 MΩ MIN. 100 V DC
DIELECTRIC STRENGTH	Breakdown is not Allowable ; 500 V AC for 1 Minute
OPERATING FORCE	300 ± 150gf
OPERATING LIFE	200,000 cycles
OPERATING TEMPERATURE RANGE	-20°C ~ 70°C
STORAGE TEMPERATURE RANGE	-25°C ~ 85°C
TOTAL TRAVEL	3.6 ± 0.3 mm

LED SPECIFICATIONS		Value / LED Color						
ATTENTION LEDs are Electrostatic Sensitive devices 	Unit	Blue	Pure Green	Red	Yellow (5mA)	Orange	Green	White
		LUMINOUS INTENSITY@20mA Iv	mcd	240	1000	180	24	250
Dominant Wavelength λD	nm	470	525	630	549	601	567	/
FORWARD VOLTAGE@20mA Vf	V	3.3	3.3	1.95	1.8	2.1	2.1	3.3

■ A single bin cannot be ordered, please contact us in advance if you need a particular bin sorting before placing your order to clarify the lead time, MOQ and pricing

▶ HOW TO ORDER

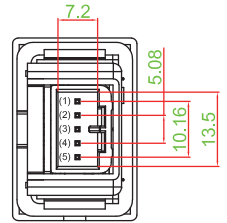
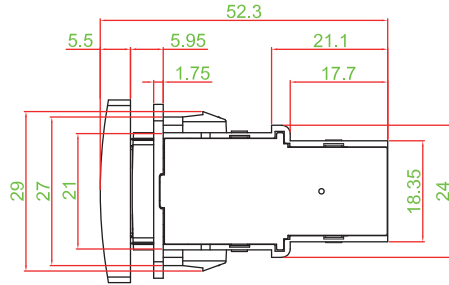
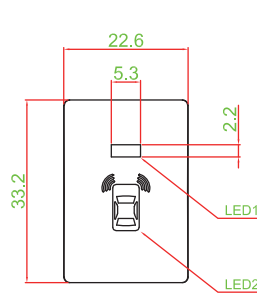


- TACT SWITCH
- PUSH BUTTON SWITCH
- LED TOUCH SENSOR SWITCH
- 5 DIRECTION NAVIGATION SWITCH WITH LED
- MEMBRANE SWITCH
- LED LIGHT BAR
- SLIDE SWITCH
- ROTARY SWITCH
- ROCKER SWITCH
- DETECT SWITCH
- ENCODER
- INTERRUPTER
- MINIATURE MICRO SWITCH
- TELEPHONE HOOK SWITCH
- DOOR SWITCH
- MINI SIZE SOCKET
- KNOB
- CAP SYMBOL

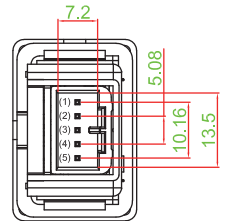
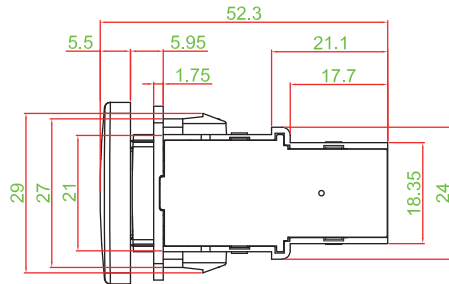
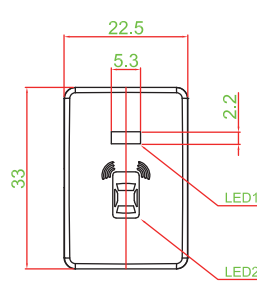


► DIMENSION

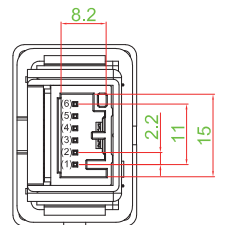
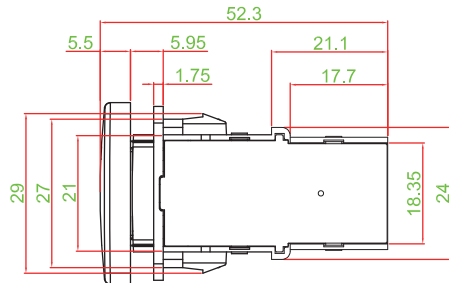
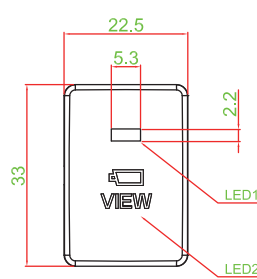
PS023-L22AAAKO16 □ □ □ □



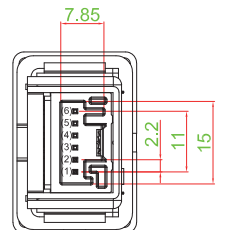
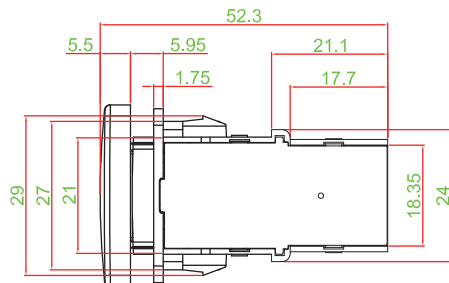
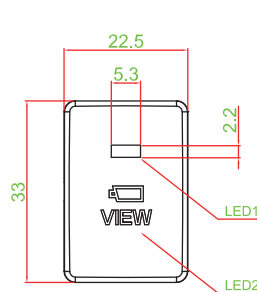
PS023-L22BABKO16 □ □ □ □



PS023-N22CBBKU37 □ □ □ □



PS023-N22CCBKU37 □ □ □ □

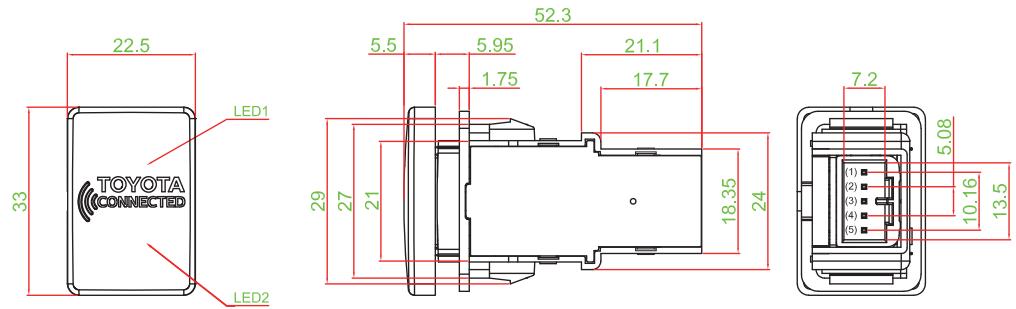


- TACT SWITCH
- PUSH BUTTON SWITCH
- LED TOUCH SENSOR SWITCH WITH LED
- 5 DIRECTION NAVIGATION SWITCH
- MEMBRANE SWITCH
- LED LIGHT BAR
- SLIDE SWITCH
- ROTARY SWITCH
- ROCKER SWITCH
- DETECT SWITCH
- ENCODER
- INTERRUPTER
- MINIATURE MICRO SWITCH
- TELEPHONE HOOK SWITCH
- DOOR SWITCH
- MINI SIZE SOCKET
- KNOB
- CAP SYMBOL

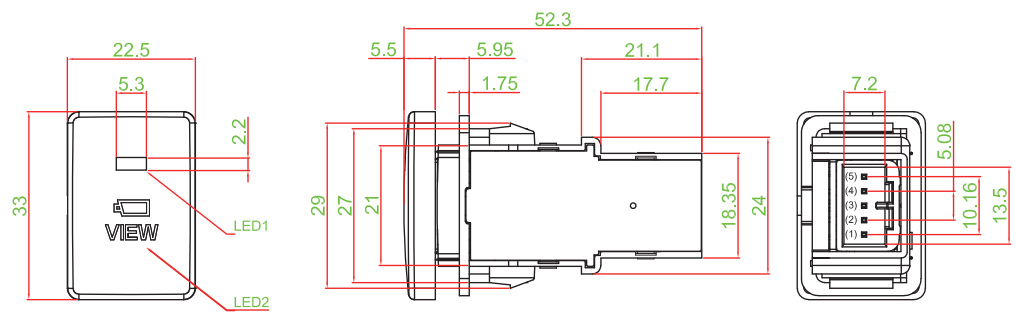


► DIMENSION

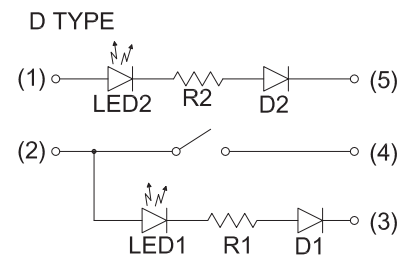
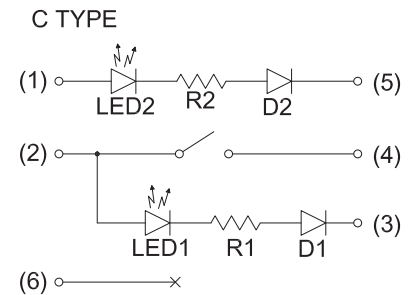
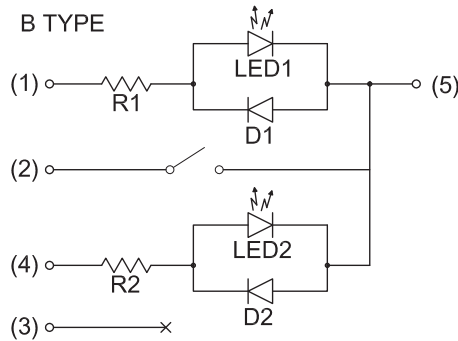
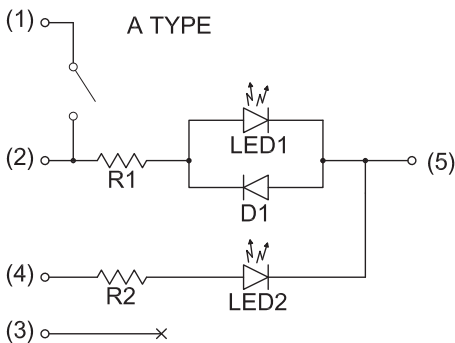
PS023-N22AACKQ37 □□□□



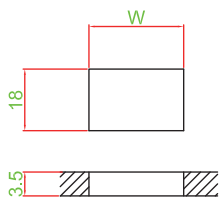
PS023-N22DABKU37 □□□□



► CIRCUIT



► PANEL CUT OUT



PANEL THICK	W
3.5 ~ 5.0	27.2 ~ 27.3
5.0 ~ 6.0	27.3 ~ 27.4
6.0 ~ 7.0	27.4 ~ 27.5

- TACT SWITCH
- PUSH BUTTON SWITCH
- LED TOUCH SENSOR SWITCH
- 5 DIRECTION NAVIGATION SWITCH WITH LED
- MEMBRANE SWITCH
- LED LIGHT BAR
- SLIDE SWITCH
- ROTARY SWITCH
- ROCKER SWITCH
- DETECT SWITCH
- ENCODER
- INTERRUPTER
- MINIATURE MICRO SWITCH
- TELEPHONE HOOK SWITCH
- DOOR SWITCH
- MINI SIZE SOCKET
- KNOB
- CAP SYMBOL