



Feature:

- Work without being connected to PC/ECU to determine the finger-print
- 1:1 or 1:N matching less than 1 second
- Capture fingerprint image, enroll and match fingerprint through RS232/UART interface.
- Low Power Consumption and LED illuminated
- Various and customize symbols available

Application:

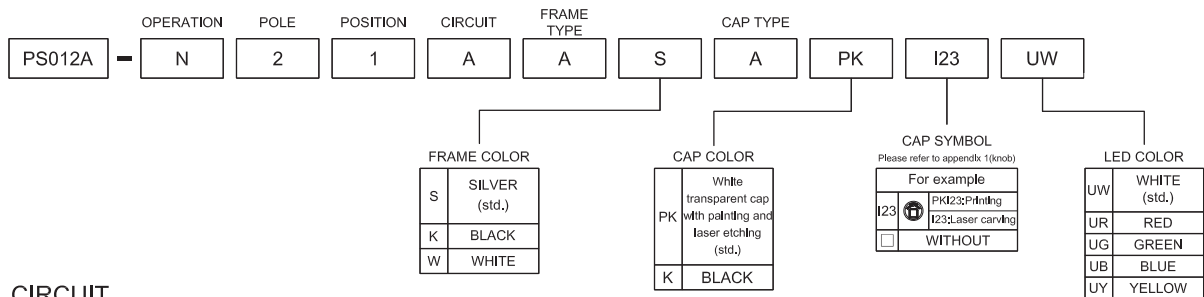
- Automotive
- Start engine button
- Security system
- IPC



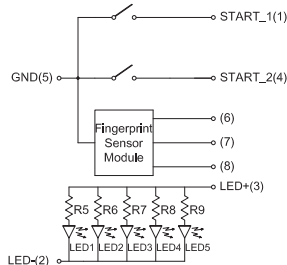
SWITCH SPECIFICATIONS	
POLE - POSITION	OFF - <ON> for Momentary Type , DPST
CONTACT RATING	12V DC , 200 mA
CONTACT RESISTANCE	200 mΩ MAX.
INSULATION RESISTANCE	100 MΩ MIN. 100 V DC
DIELECTRIC STRENGTH	Breakdown is not Allowable ; 100 V AC for 1 Minute
OPERATING FORCE	650 ± 150gf
OPERATING LIFE	100,000 cycles
OPERATING TEMPERATURE RANGE	-20°C ~ 80°C
STORAGE TEMPERATURE RANGE	-40°C ~ 85°C
TOTAL TRAVEL	2.0 ± 0.3 mm

Physical and electrical information of LED will be provided upon customer's request on switches .

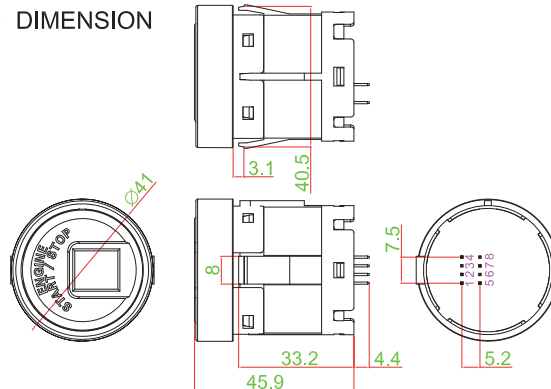
HOW TO ORDER



CIRCUIT



DIMENSION



PANEL CUT OUT

