



Feature -

Programmable pushbutton switch with 96 x 3 x 64 OLED.
Color mode: 65K. Image refresh rate : > 30 FPS.
68/80series MCU 8 bit, SPI 4 wire interface.
High contrast : 10000:1 Low power consumption.
Dust proof design.

Application -

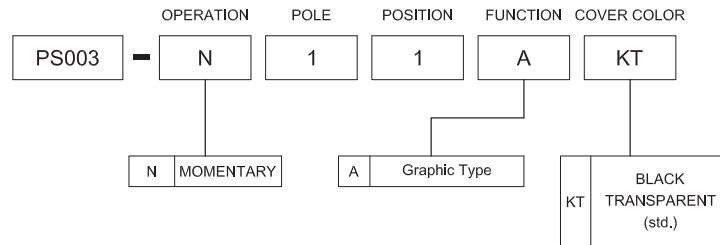
Audio / video switchers
Instrumentation, telecommunication
Broadcast system, security system
POS (point of sale) system
Gambling machines



► SPECIFICATIONS

SWITCH SPECIFICATIONS	
POLE - POSITION	OFF - <ON> for Momentary Type , SPST
CONTACT RATING	100mA 12 VDC
CONTACT RESISTANCE	200 Ω MAX.
INSULATION RESISTANCE	100 MΩ MIN. 500 V DC
DIELECTRIC STRENGTH	Breakdown is unallowable ; AC 500V(50-60HZ) For 1 minute
OPERATING FORCE	200 ± 100 gf
OPERATING LIFE	1,000,000 cycles MIN
OPERATING TEMPERATURE RANGE	-20°C ~ 70°C
TOTAL TRAVEL	2.3 ± 0.3 mm

► HOW TO ORDER



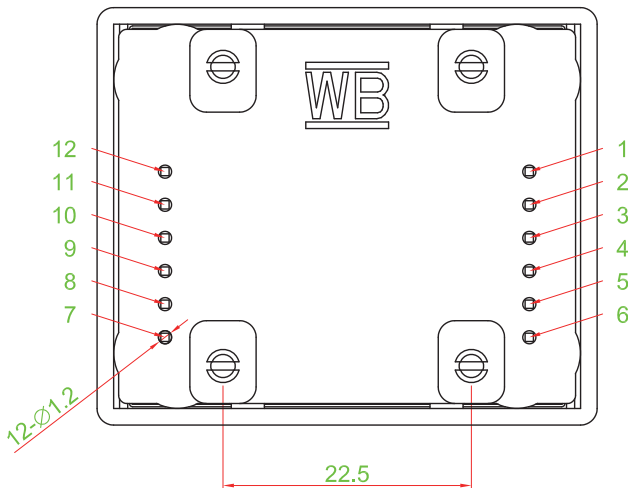


► DIMENSION & FRAME TYPE

OLED ELECTRICAL CHARACTERISTICS

SYMBOL	PAPAMETER	CONDITIONS	MIN	TYP	MAX	Unit
V _{DD}	Logic Power Supply	-	2.4	2.8	3.5	V
V _{IH}	High Logic Input Voltage	-	0.8*V _{DD}	-	V _{DD}	V
V _{IL}	Low Logic Input Voltage	-	0	-	0.2*V _{DD}	V
V _{OH}	High Logic Output Voltage	I _{OH} = -0.1mA	V _{DDIO} -0.4	-	-	V
V _{OL}	Low Logic Output Voltage	I _{OL} = -0.1mA	-	-	0.4	V
I _{LI}	Input Leakage Current	V _I = V _{DDIO} or V _{SS}	-1.0	-	+1.0	uA
I _{LO}	Output Leakage Current	V _I = V _{DDIO} or V _{SS}	-1.0	-	+1.0	uA
F _{OSC1}	Oscillator Frequency By External Resistor	RF = 2.7K Ω	-	-	3	MHz

PIN ASSIGNMENT



Pin No.	Symbol	Name	Function
1	VDD	Power	Power source for logic current and panel
2	VDD	Power	Power source for logic current and panel
3	SW	Switch Pin	Normally open
4	GND	Ground	Connect to Ground
5	GND	Ground	Connect to Ground
6	SW	Switch Pin	Normally open
7	SDO	Serial Data Out	Data output line for SPI.
8	SDI	Serial Data In	Data input line for SPI.
9	SCK	Serial Clck	Clock line to synchronize data write for SPI.
10	SCS	Serial Control Select	Slave select for SPI. This line is active low.
11	GND	Ground	Connect to Ground
12	RES	Reset	Reset signal input. When pin is low, initialization of chip is executed.

OLED MAXIMUM RATING

ITEM	MIN	MAX	UNIT	Condition	Remark
Supply Voltage(V _{DD})	-0.3	4	V	Ta=25°C	IC maximum rating
Supply Voltage(V _{DD})	8	18	V	Ta=25°C	IC maximum rating
Operating Temp	-40	70	°C		
Storage Temp	-40	85	°C		
Humidity		85	%		
Life Time	18,000	-	Hrs	60 cd/m ² , 50% checkerboard	
Life Time	13,000	-	Hrs	80 cd/m ² , 50% checkerboard	
Life Time	10,000	-	Hrs	100 cd/m ² , 50% checkerboard	

OLED MECHANICAL DATA

NO ITEM SPECIFICATION UNIT	
1	Dot Matrix 96(W) x (RxGxB) x 64(H) dot
2	Dot Size 0.05(L) x 0.19(W) mm ²
3	Dot Pitch 0.07(W) x 0.21(H) mm ²
4	65536 colors
5	Active Area 20.14 (L) x 13.42 (W) mm ²
6	Panel Size 25.70(L) x 22.20(W) x 1.45(H) mm ²
7	Panel Thickness 1.20 ± 0.15 mm
8	Diagonal A/A size 0.95 inch
9	Module Weight 1.8±10% gram

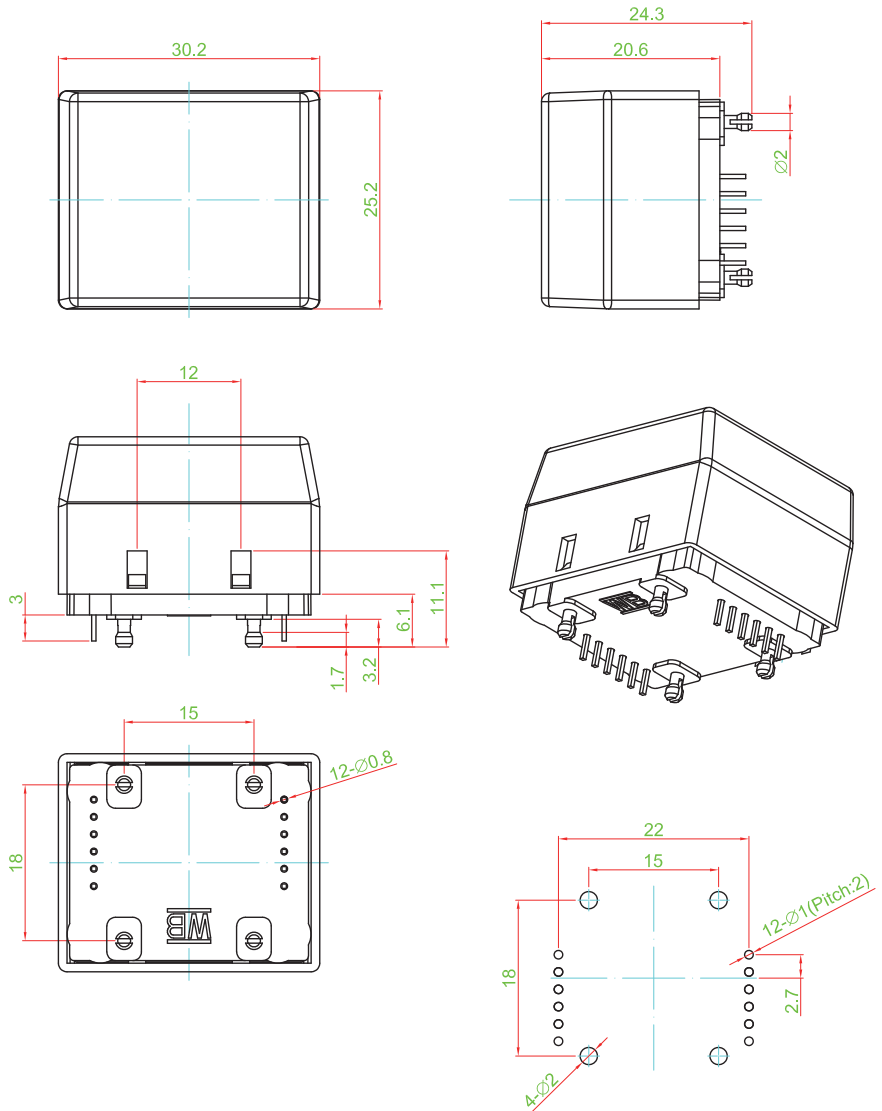
詳細資料請與公司業務聯繫 More details please check with our sales

- TACT SWITCH
- PUSH BUTTON SWITCH
- LED TOUCH SENSOR SWITCH
- 5 DIRECTION NAVIGATION SWITCH WITH LED
- MEMBRANE SWITCH
- LED LIGHT BAR
- SLIDE SWITCH
- ROTARY SWITCH
- ROCKER SWITCH
- DETECT SWITCH
- ENCODER
- INTERRUPTER
- MINIATURE MICRO SWITCH
- TELEPHONE HOOK SWITCH
- DOOR SWITCH
- MINI SIZE SOCKET
- KNOB
- CAP SYMBOL

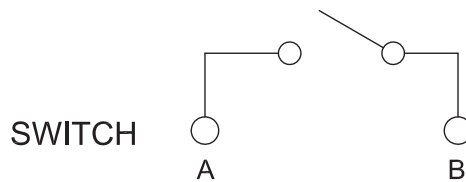


► DIMENSION

PS003-N11AKT



► CIRCUIT



- TRACT SWITCH
- PUSH BUTTON SWITCH
- LED TOUCH SENSOR SWITCH
- 5 DIRECTION NAVIGATION SWITCH WITH LED
- MEMBRANE SWITCH
- LED LIGHT BAR
- SLIDE SWITCH
- ROTARY SWITCH
- ROCKER SWITCH
- DETECT SWITCH
- ENCODER
- INTERRUPTER
- MINIATURE MICRO SWITCH
- TELEPHONE HOOK SWITCH
- DOOR SWITCH
- MINI SIZE SOCKET
- KNOB
- CAP SYMBOL