



Feature:

- Membrane switch with silicon cover
- Bi-color LED indicator
- Waterproof: IP64
- Wire solder on the FPC from the side of the switch
- 3M waterproof back tape

Application:

- Automotive
- Medical equipment
- Smart device

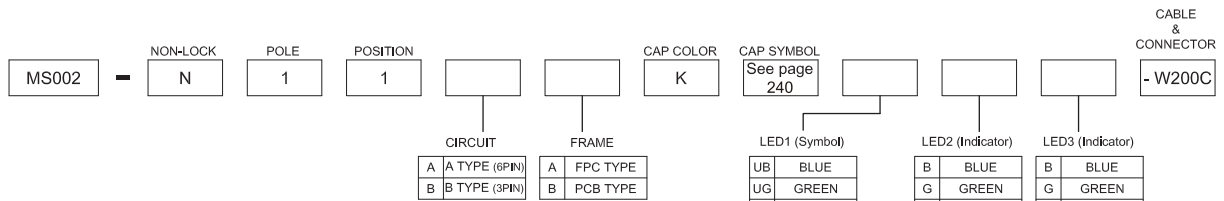


SWITCH SPECIFICATIONS	
POLE - POSITION	OFF - <ON> for Momentary Type , SPST
CONTACT RATING	0.1A 12V DC
CONTACT RESISTANCE	CONTACT:1Ω MAX. / CONNECTOR:5Ω MAX.
INSULATION RESISTANCE	100 MΩ min. 200 V DC
DIELECTRIC STRENGTH	Breakdown is not Allowable ; 250 V AC for 1 Minute
OPERATING FORCE	360±100gf
OPERATING LIFE	1,000,000 cycles
OPERATING TEMPERATURE RANGE	-40°C ~ 85°C
TOTAL TRAVEL	0.6±0.2mm

LED SPECIFICATIONS		Value / LED Color						
 ATTENTION LEDs are Electrostatic Sensitive devices 	Unit	Blue 5mA	Pure Green	Red	Yellow	Orange	Green	White
	LUMINOUS INTENSITY@20mA I _v	mcd						
Dominant Wavelength λ _D	nm							
FORWARD VOLTAGE@20mA V _f	V							

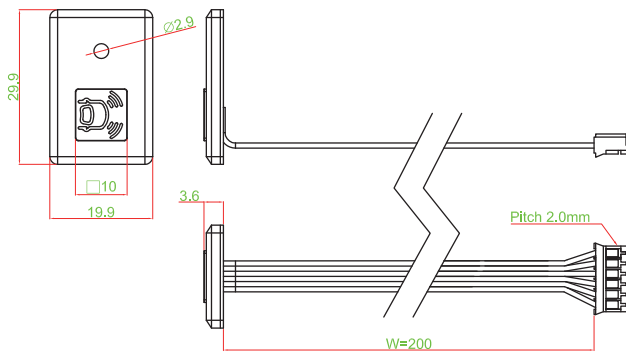
■ A single bin cannot be ordered, please contact us in advance if you need a particular bin sorting before placing your order to clarify the lead time, MOQ and pricing

HOW TO ORDER

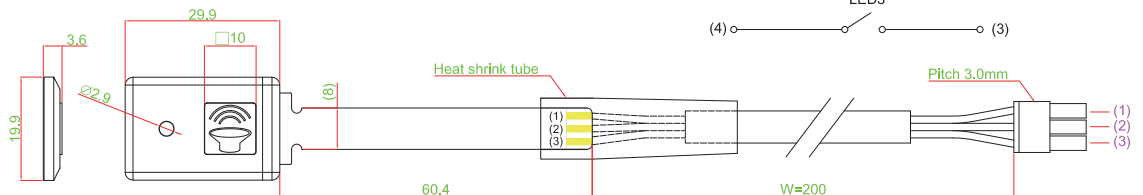


DIMENSION

MS002-N11ABK □□□□ -W200C



MS002-N11BAK □□□□ -W200C



CIRCUIT

