



**Feature :**

Small dimension  
Max. 8 positions

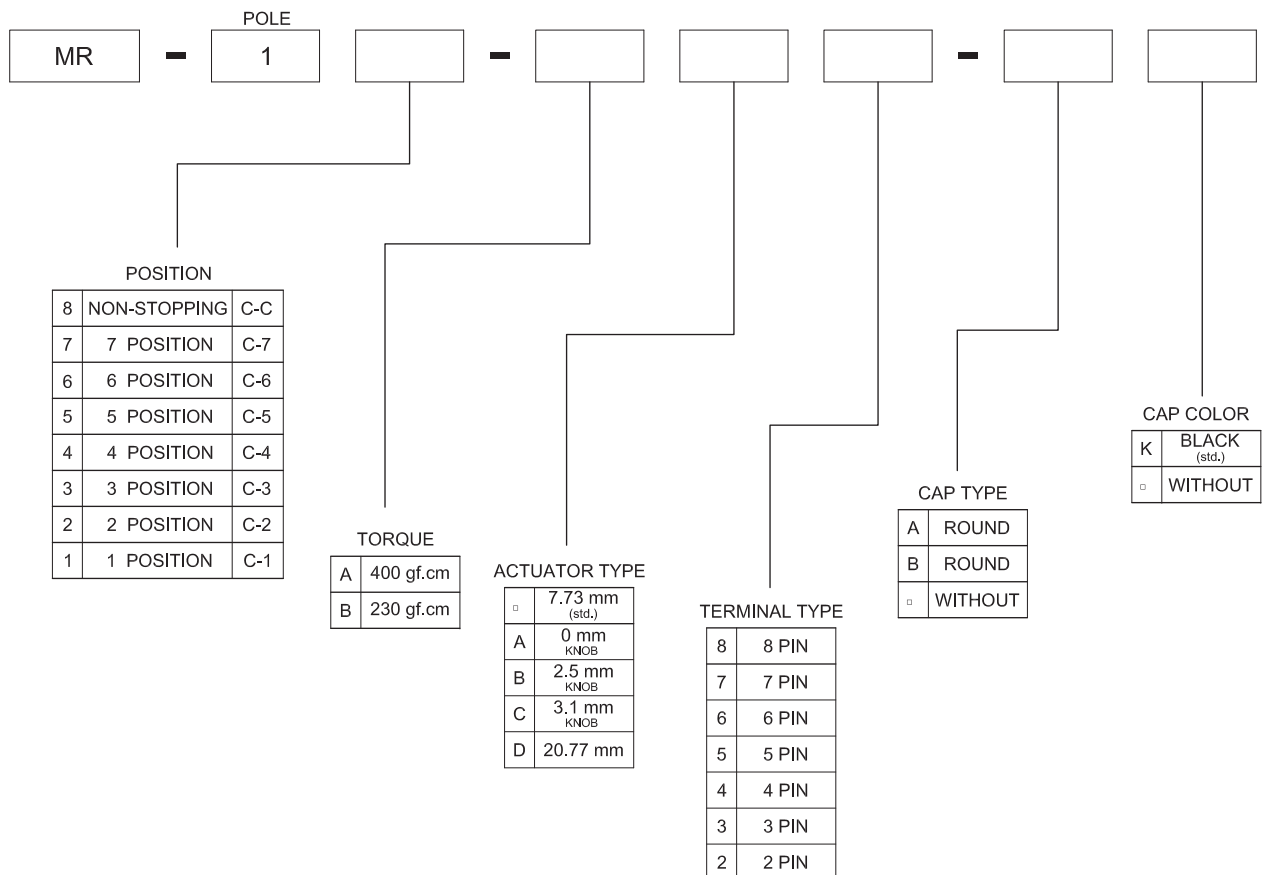
**Application :**

Power strip voltage selector  
Selection key on the application  
AV machine, video recorder  
Air cleaner



SWITCH SPECIFICATIONS	
POLE - POSITION	1POLE , 2 POSITION~8 POSITION ( STOP LESS ) are Available
CONTACT RATING	0.5A 24V DC ; 0.2A 48V DC
CONTACT RESISTANCE	2 Ω MAX. 1.5 V DC ; 100 mA , by Method of Voltage DROP
INSULATION RESISTANCE	100 MΩ MIN. 500 V DC
DIELECTRIC STRENGTH	Breakdown is not Allowable ; 500 V AC for 1 Minute
OPERATING FORCE	400 ± 250 gf.cm or 230 ± 100 gf.cm
OPERATING LIFE	2,000 cycles
OPERATING TEMPERATURE RANGE	-40°C ~ 85°C

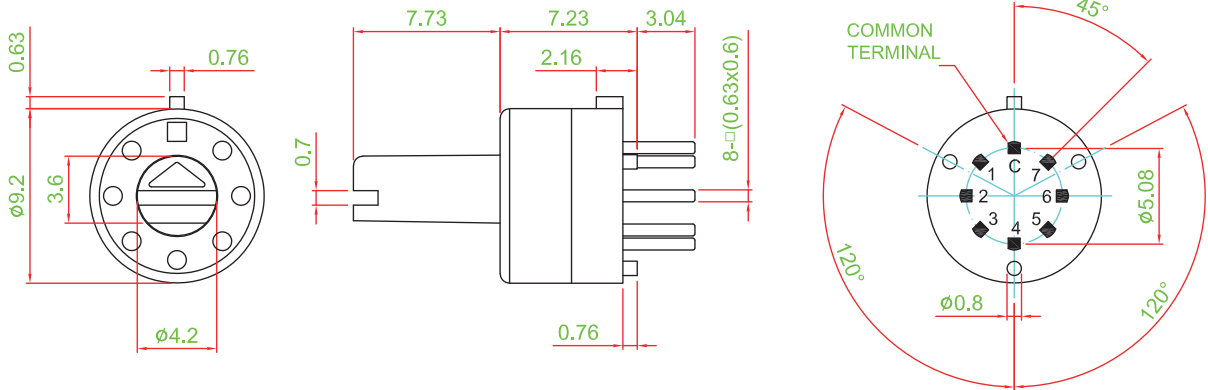
**▶ HOW TO ORDER**





► DIMENSION

MR - 18 - A8



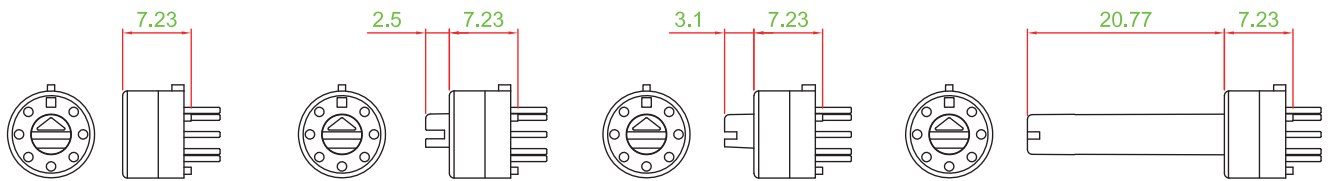
► ACTUATOR TYPE

A TYPE

B TYPE

C TYPE

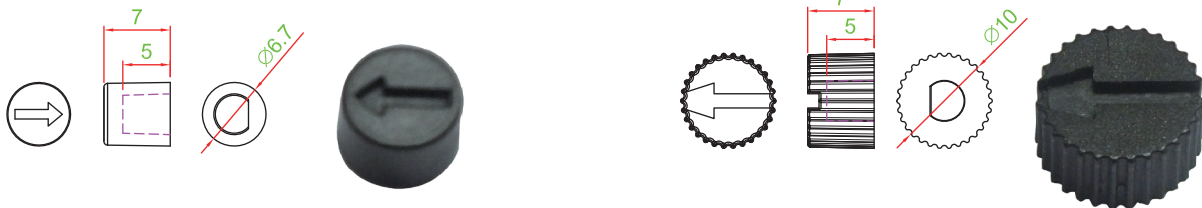
D TYPE



► CAP TYPE

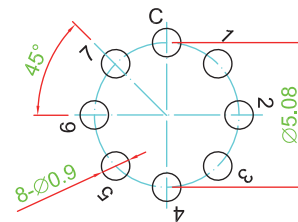
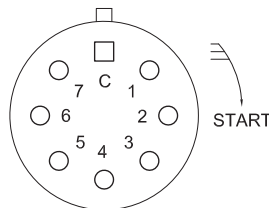
A TYPE

B TYPE



► CIRCUIT

TRAVEL	SWITCHING POSITION
0°	C - C (OFF)
45°	C - 1
90°	C - 2
135°	C - 3
180°	C - 4
225°	C - 5
270°	C - 6
315°	C - 7



- TACT SWITCH
- PUSH BUTTON SWITCH
- LED TOUCH SENSOR SWITCH
- 5 DIRECTION NAVIGATION SWITCH WITH LED
- MEMBRANE SWITCH
- LED LIGHT BAR
- SLIDE SWITCH
- ROTARY SWITCH
- ROCKER SWITCH
- DETECT SWITCH
- ENCODER
- INTERRUPTER
- MINIATURE MICRO SWITCH
- TELEPHONE HOOK SWITCH
- DOOR SWITCH
- MINI SIZE SOCKET
- KNOB
- CAP SYMBOL