



Feature :

- Small size
- Bi-color LED illuminated available
- SPST, momentary function

Application :

- Computer products
- Office appliance
- Communication equipments

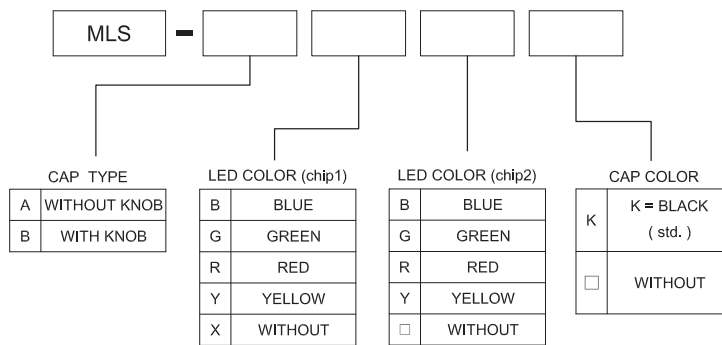


SWITCH SPECIFICATIONS	
POLE - POSITION	Momentary Type , SPST with LED
CONTACT RATING	36 V DC , 0.2 A
CONTACT RESISTANCE	40 mΩ MAX. 1.5 V DC ; 100 mA by Method of Voltage DROP
INSULATION RESISTANCE	100 MΩ MIN. 500 V DC
DIELECTRIC STRENGTH	Breakdown Is not Allowable ; 500 V AC for 1 Minute
OPERATING FORCE	300 ± 100 gf
OPERATING LIFE	10,000 cycles
OPERATING TEMPERATURE RANGE	-40°C ~ 85°C
TOTAL TRAVEL	FULL TRAVEL : 2.4 ± 0.3 mm CONTACT TRAVEL : 1.6 ± 0.3 mm

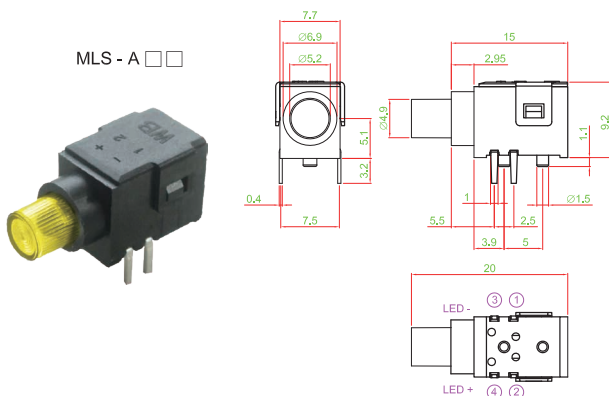
LED SPECIFICATIONS								
ATTENTION LEDs are Electrostatic Sensitive devices (+) ○ (−)	Unit	Value / LED Color						
		Blue	Pure Green	Red	Yellow	Orange	Green	White
LUMINOUS INTENSITY@20mA I <sub>v</sub>	mcd	900	6500	900	1300	900	400	1200
Dominant Wavelength λ <sub>D</sub>	nm	470	525	635	590	601	570	/
FORWARD VOLTAGE@20mA V <sub>f</sub>	V	3.2	3.3	1.95	2	2.1	2.1	4

■ A single bin cannot be ordered, please contact us in advance if you need a particular bin sorting before placing your order to clarify the lead time, MOQ and pricing

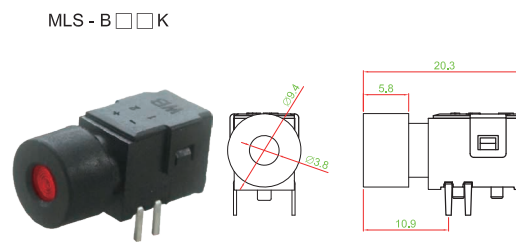
▶ HOW TO ORDER



▶ DIMENSION



▶ CAP TYPE



▶ CIRCUIT



- TACT SWITCH
- PUSH BUTTON SWITCH
- LED TOUCH SENSOR SWITCH
- 5 DIRECTION NAVIGATION SWITCH WITH LED
- MEMBRANE SWITCH
- LED LIGHT BAR
- SLIDE SWITCH
- ROTARY SWITCH
- ROCKER SWITCH
- DETECT SWITCH
- ENCODER
- INTERRUPTER
- MINIATURE MICRO SWITCH
- TELEPHONE HOOK SWITCH
- DOOR SWITCH
- MINI SIZE SOCKET
- KNOB
- CAP SYMBOL